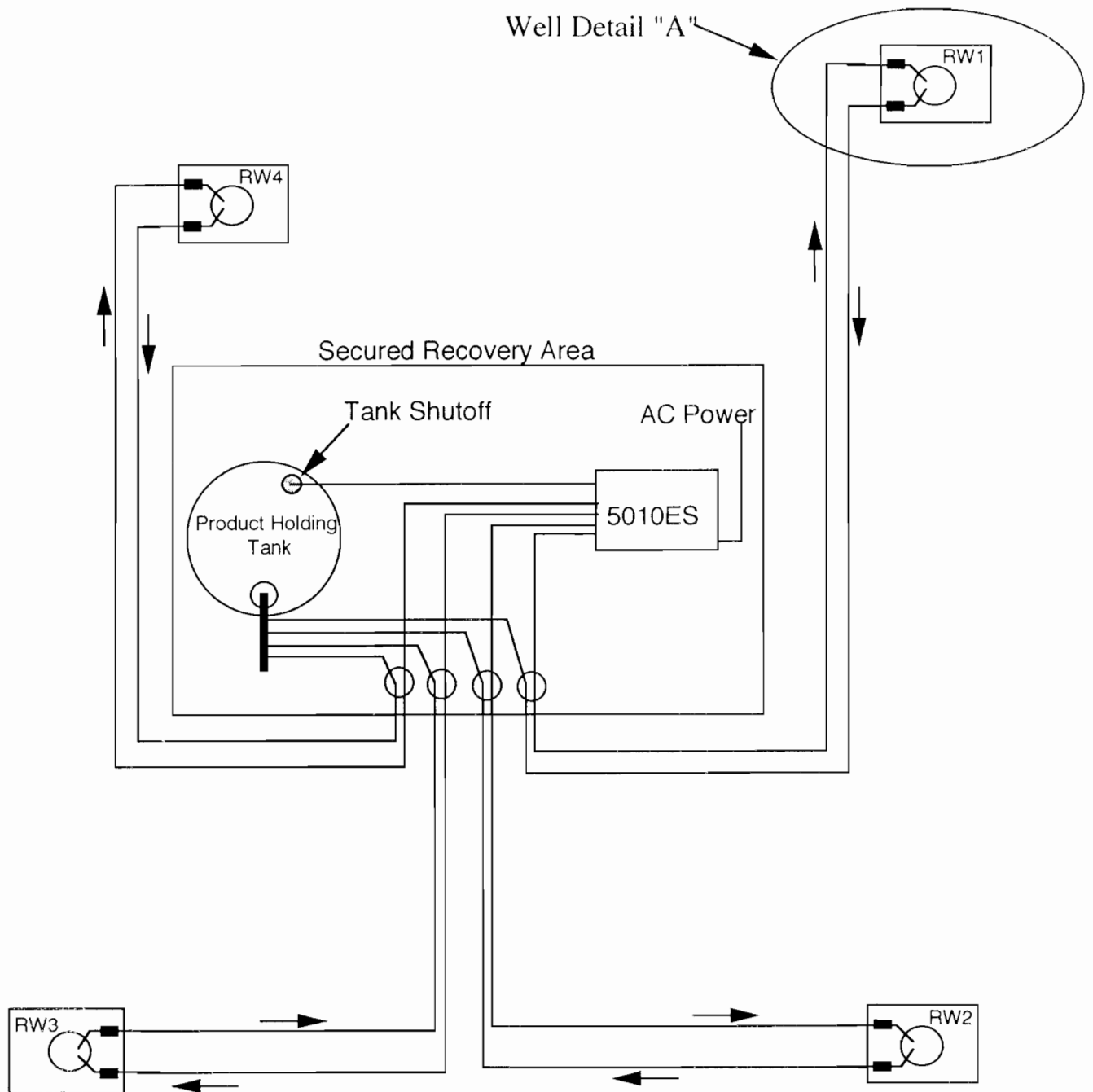
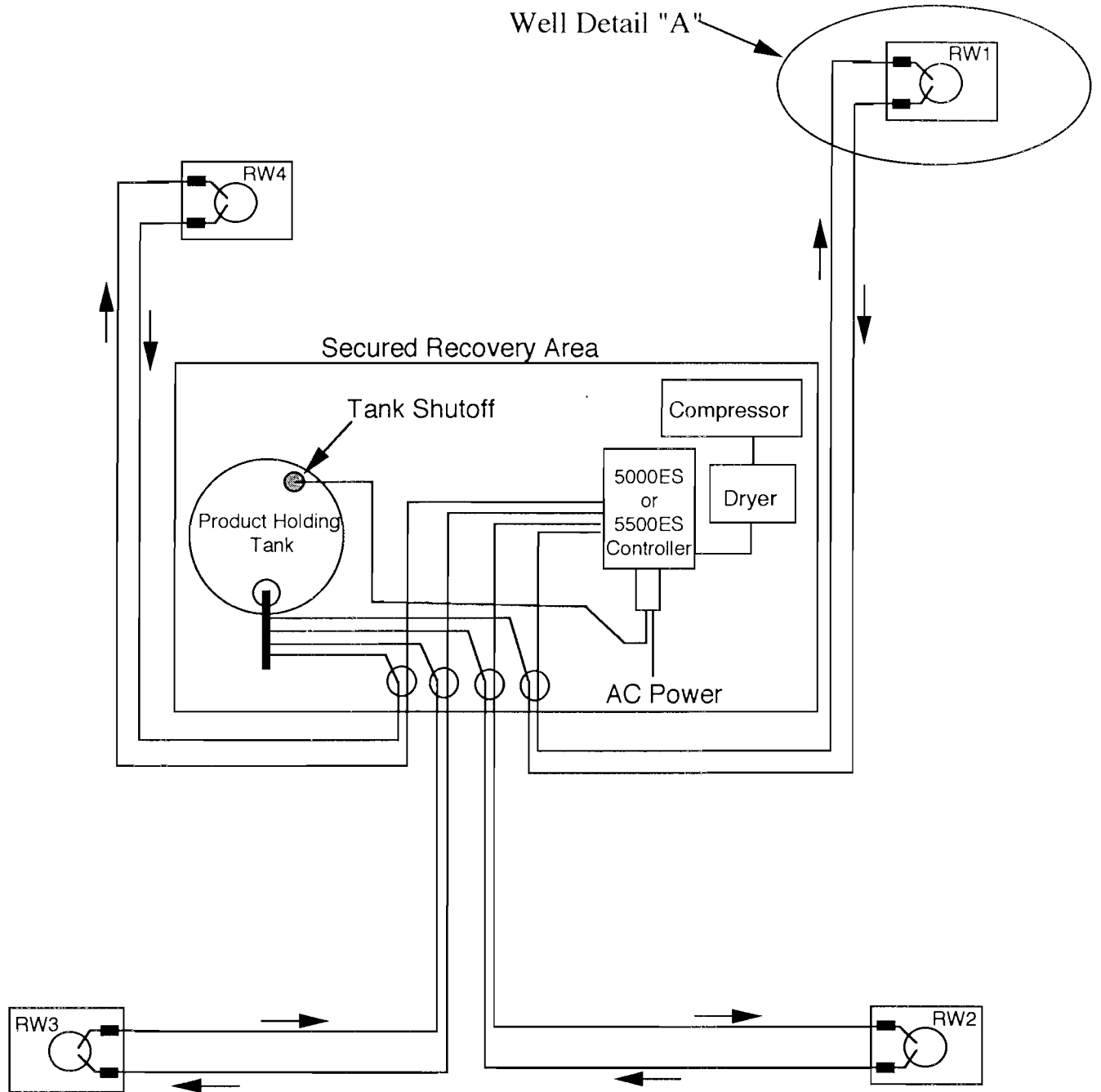


Xitech's 5010ES Multi-Well System Using Individual Air & Individual Product Return



Xitech's 5000ES & 5500ES Multi-Well System
Using
Individual Air & Individual Product Return



Well Detail "B"

