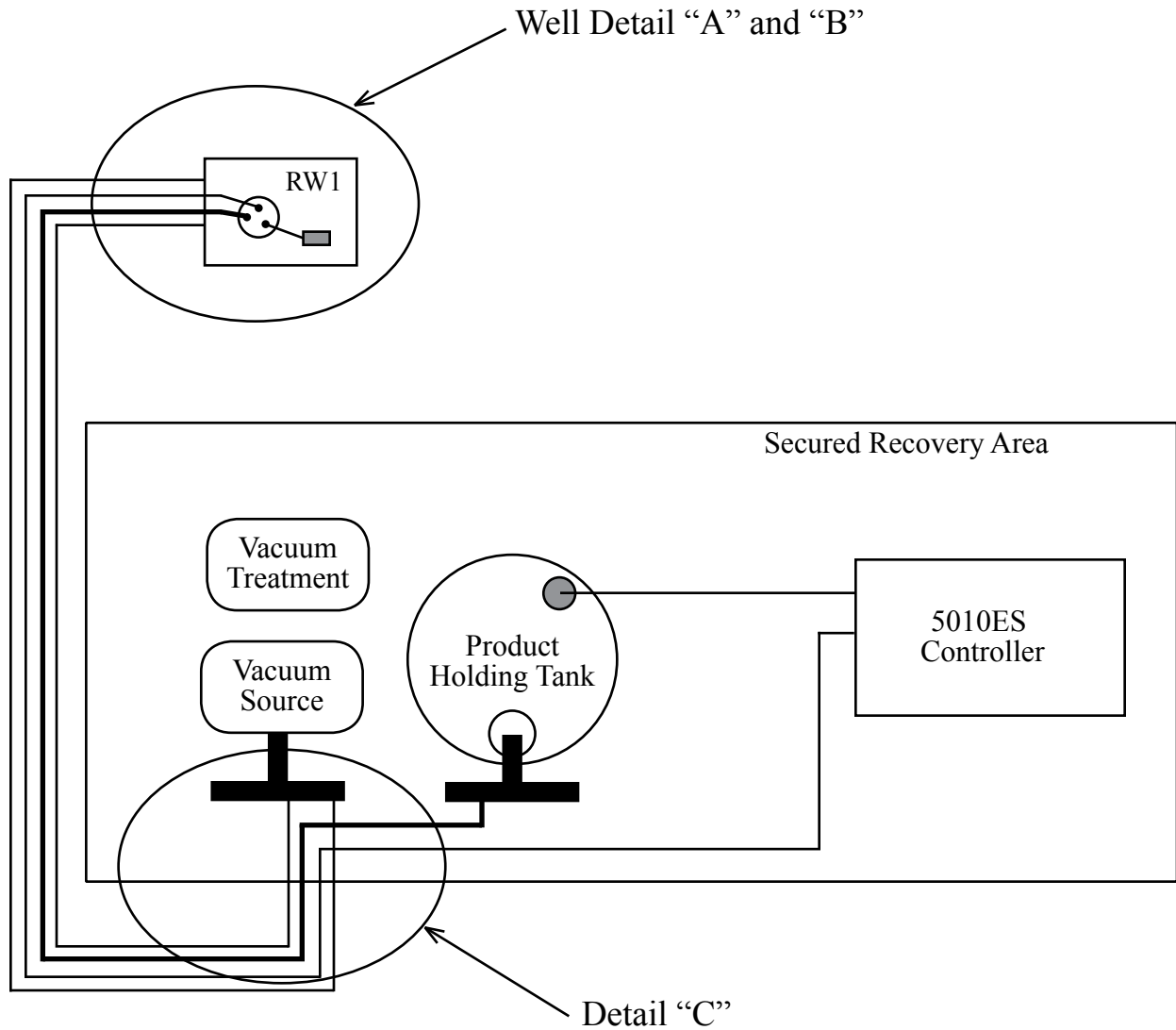
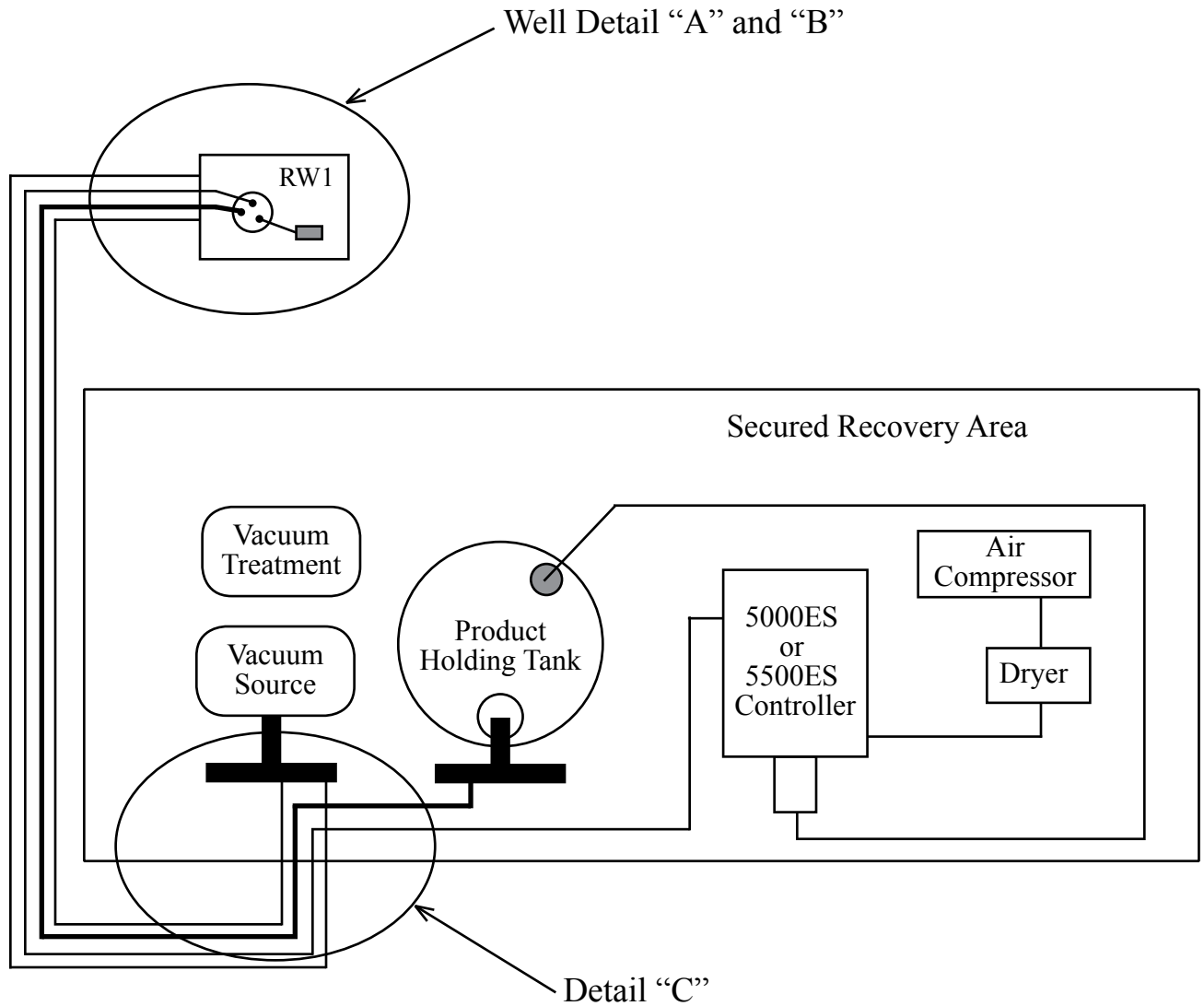


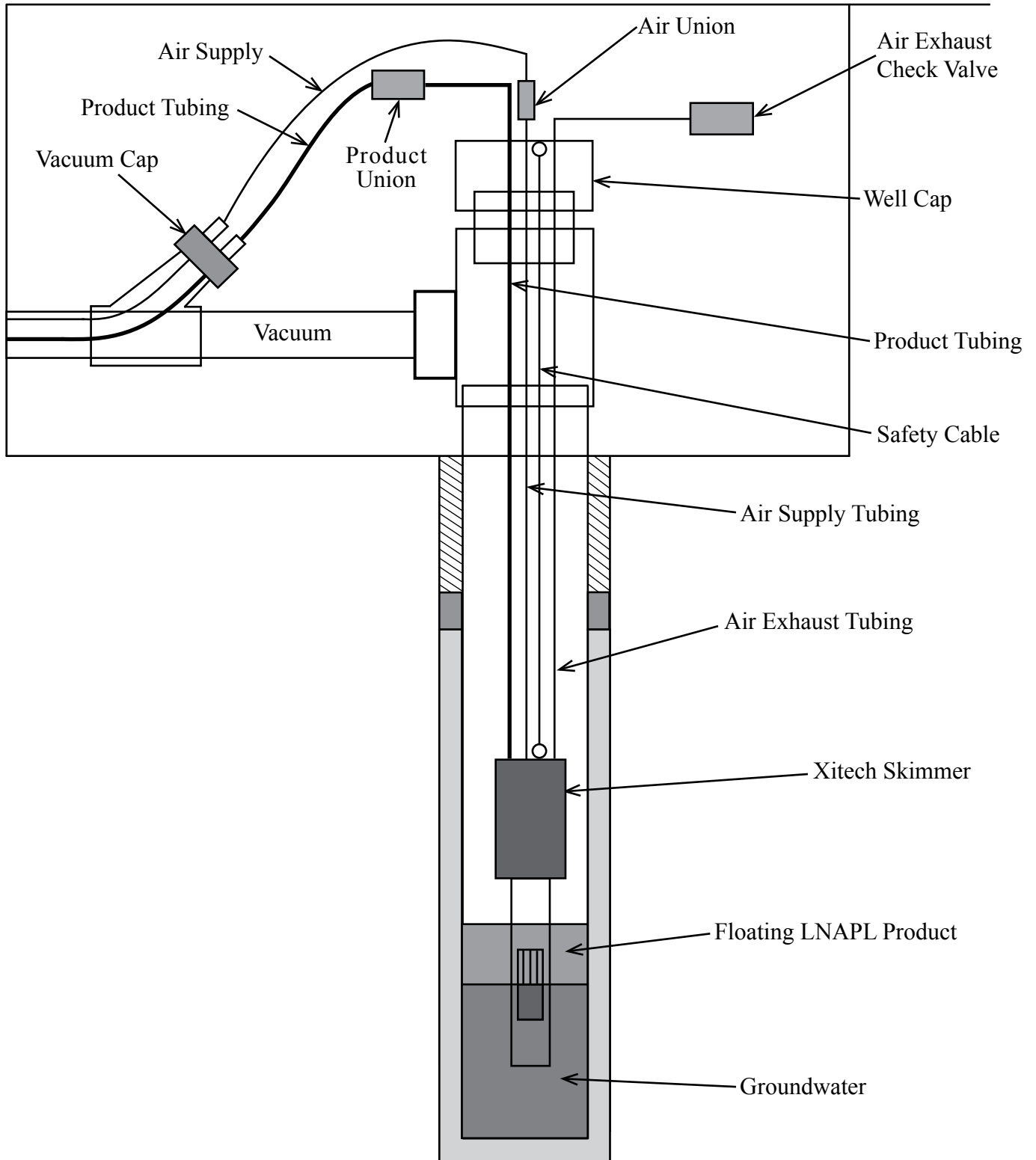
# Xitech LNAPL Multi-Well System using 5010ES Controller Individual Air Supply, Individual Product Return with Individual Vacuum Piping



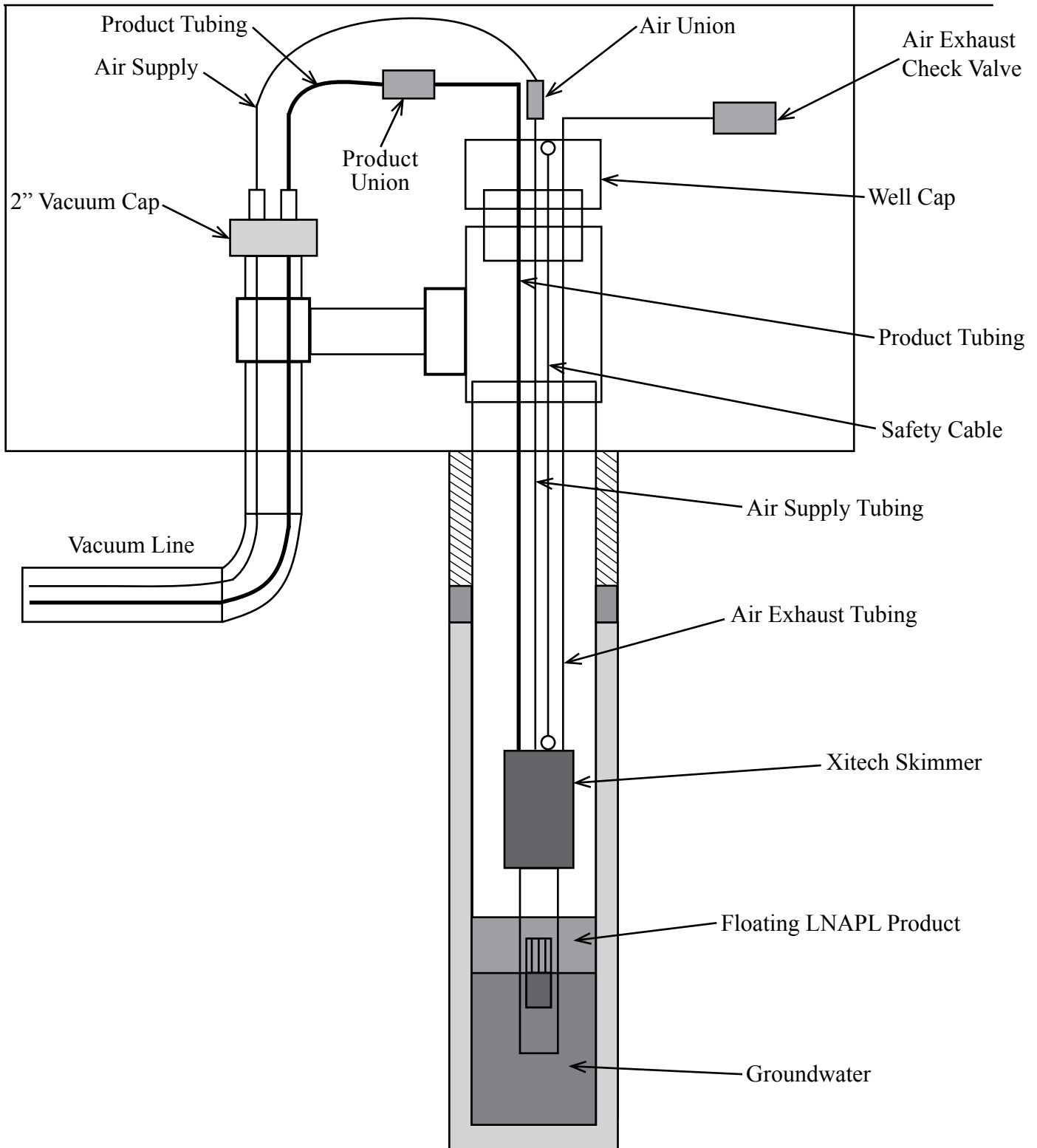
# Xitech LNAPL Multi-Well System using 5000ES or 5500ES Controller Individual Air Supply, Individual Product Return with Individual Vacuum Piping



# Well Detail "A" Shallow Trenching



# Well Detail "B" Deep Trenching



# Compound Detail "C"

