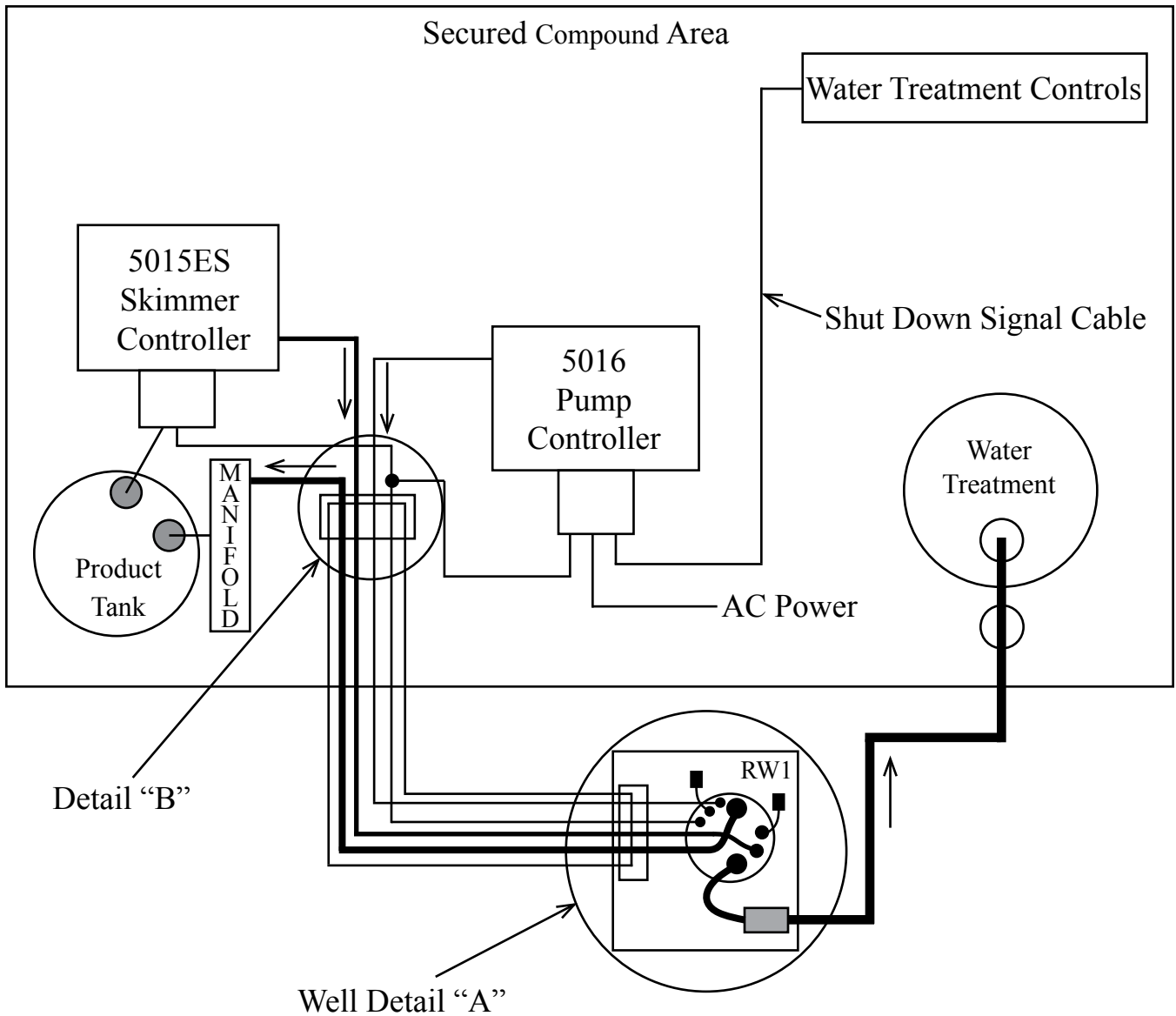
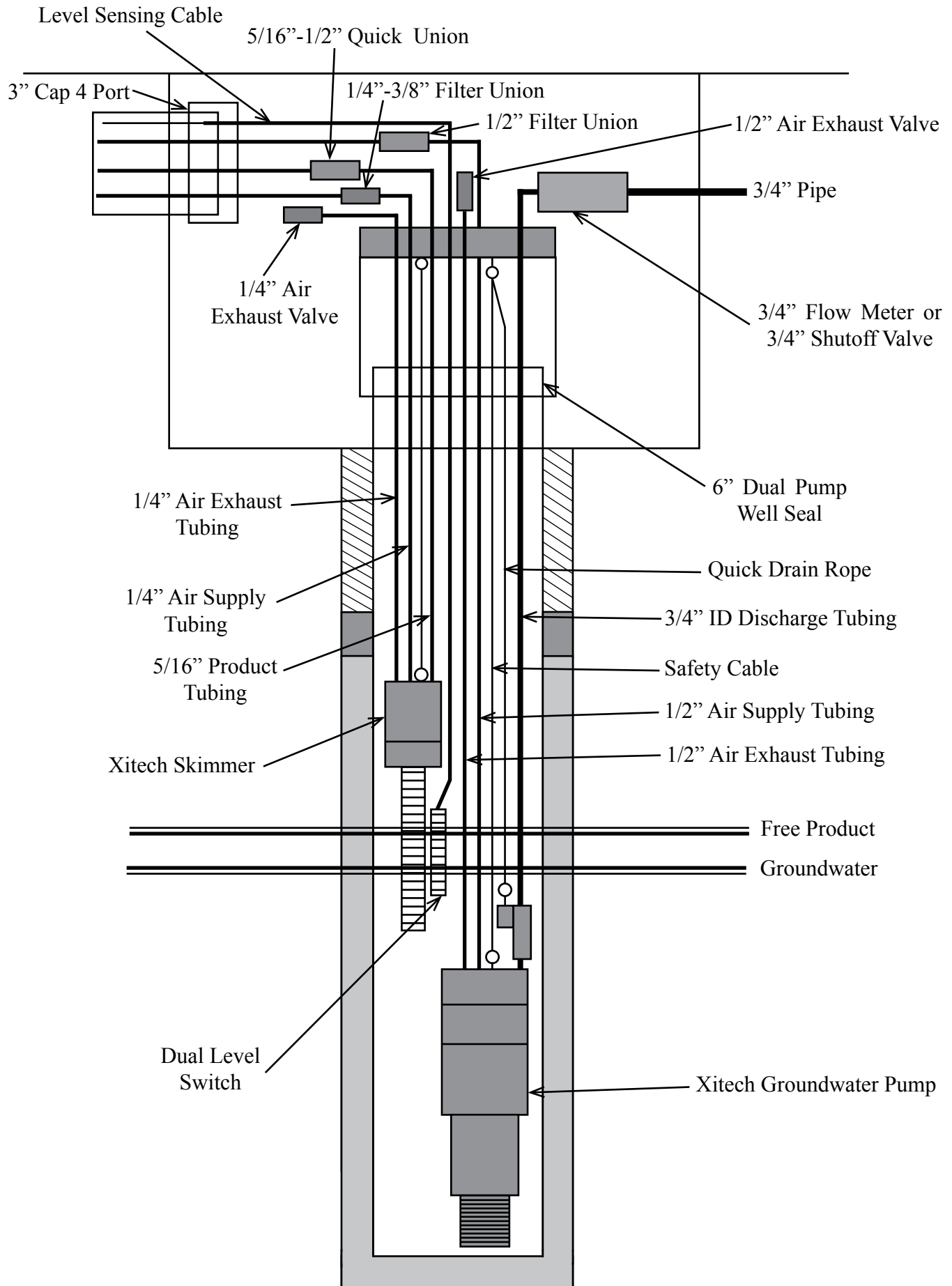


# Total Fluids Recovery (Pump and Skimmer) Individual Air Supply and Common Water Discharge



# Well Detail "A"



# Detail "B"

## COMPOUND

