

Total Fluids (Dual Pump) Recovery Groundwater Pump and Skimmer Individual Air Supply and Common Discharge Return

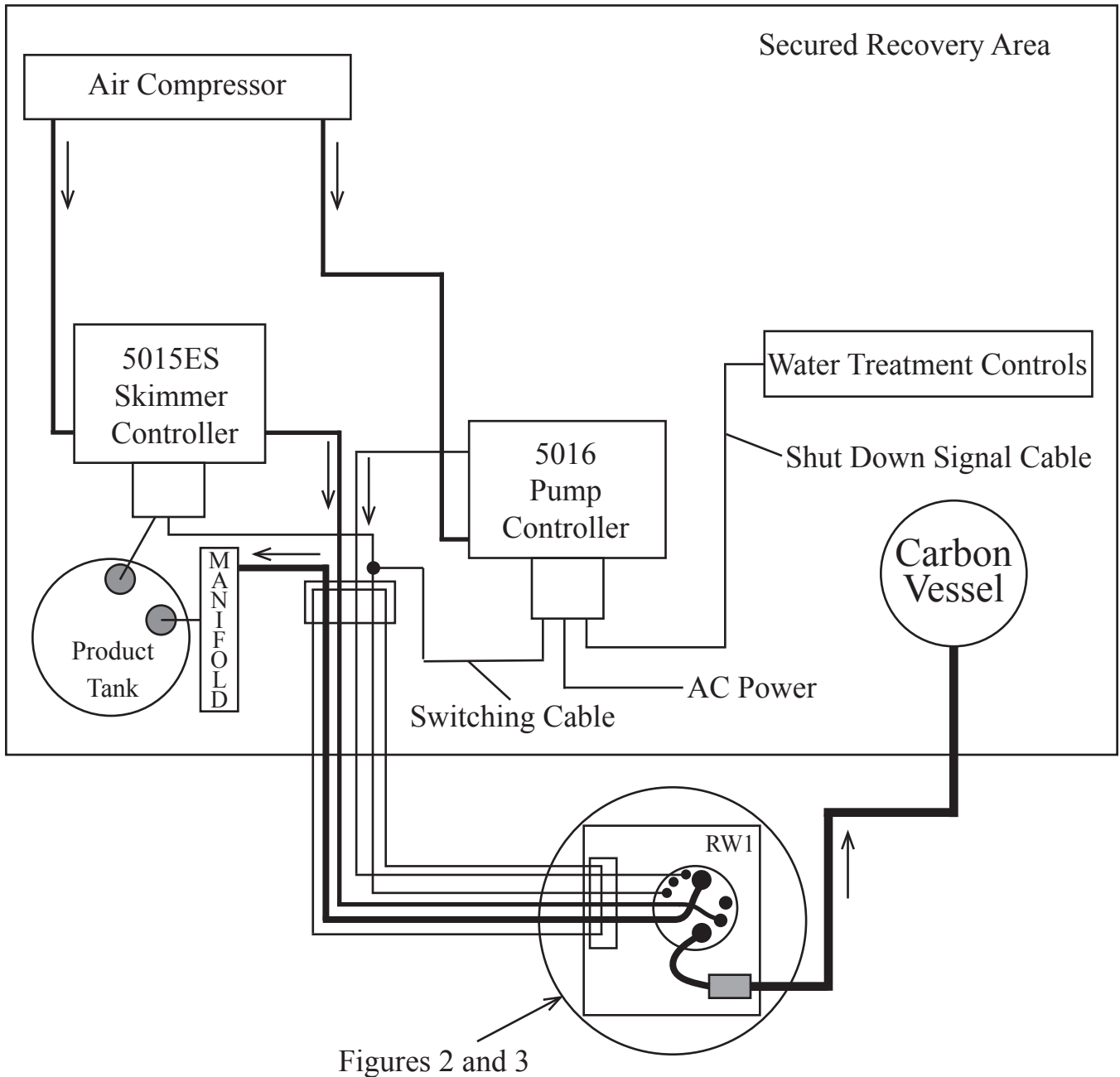


Figure 1

Shallow Trenching

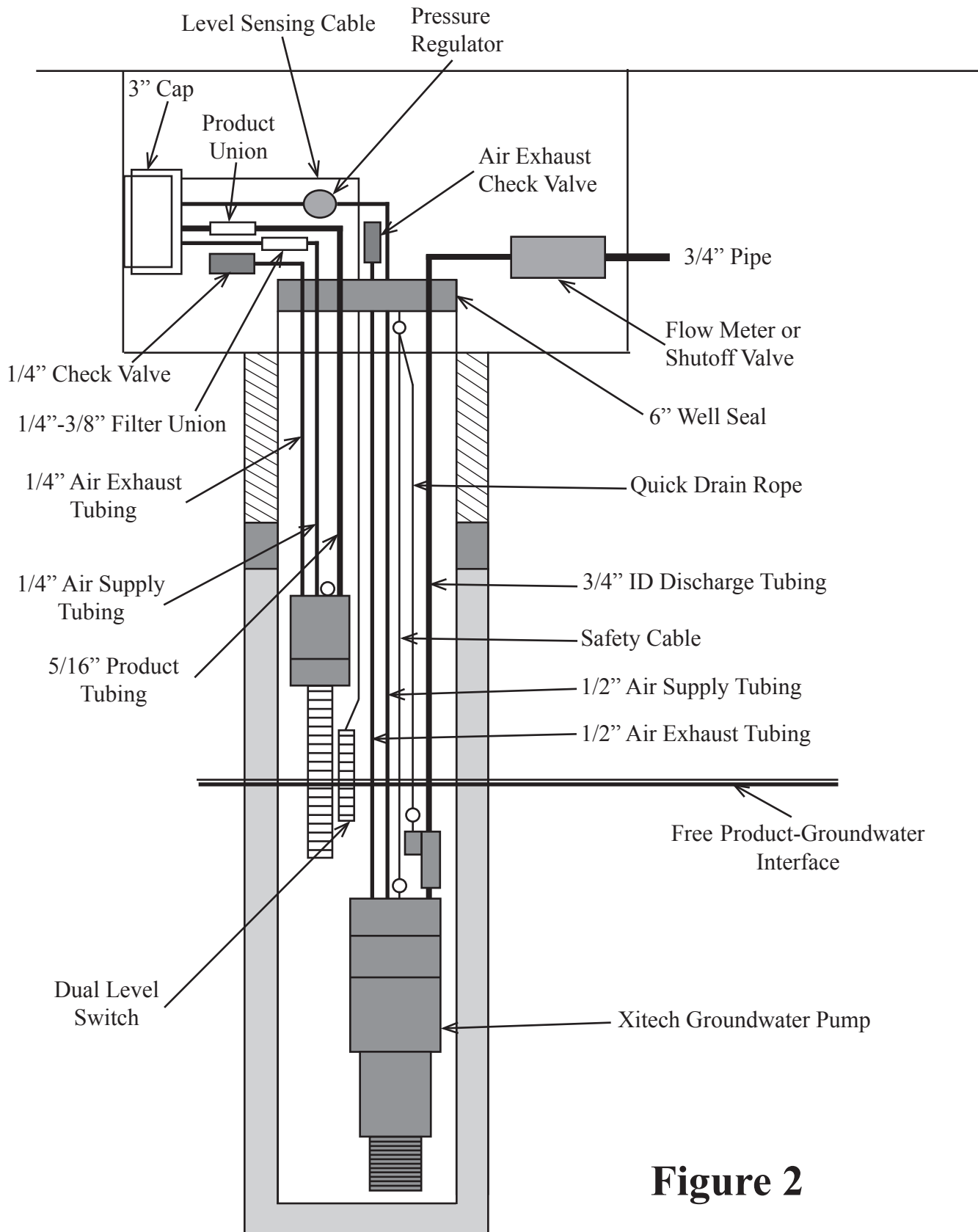


Figure 2

Deep Trenching

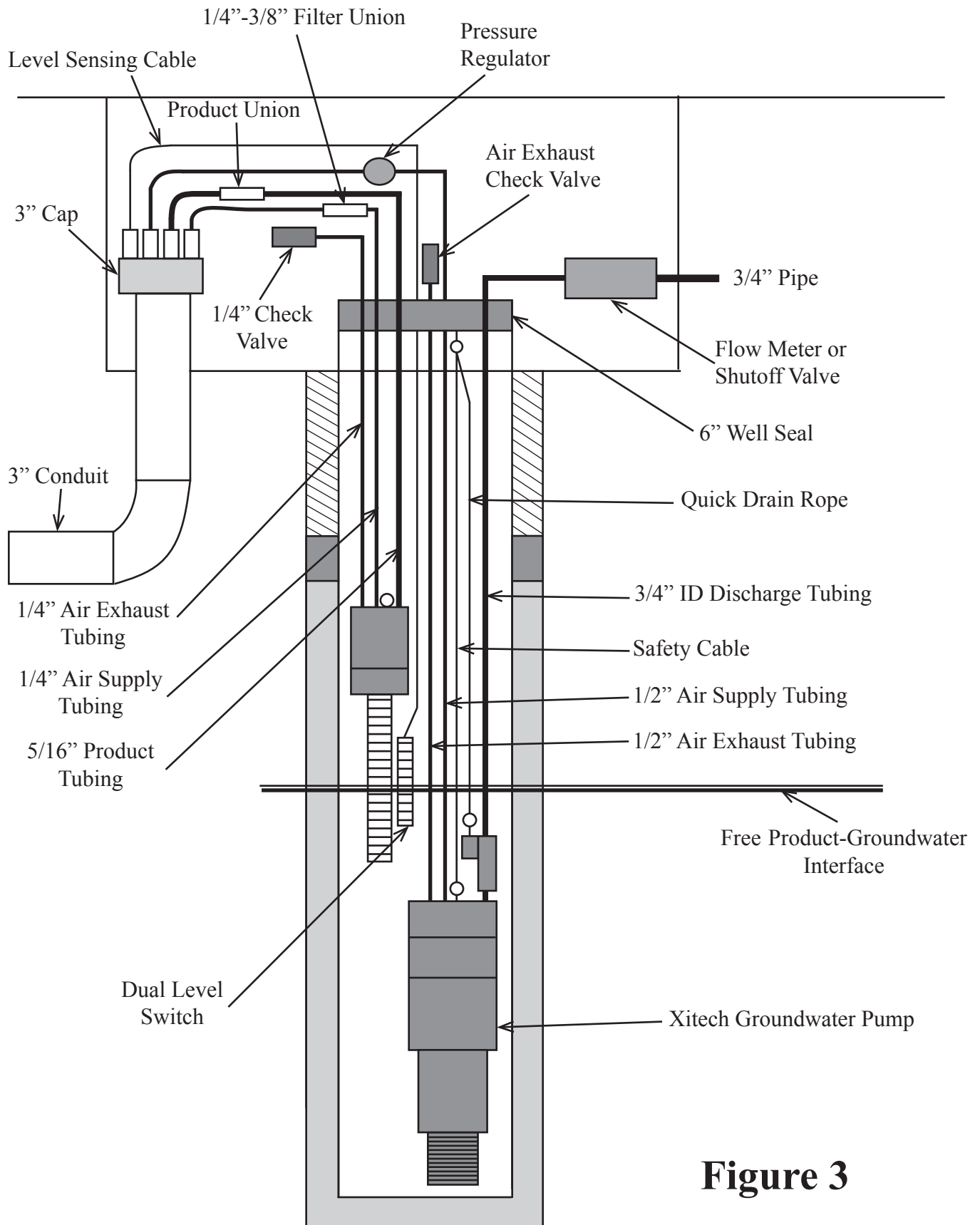


Figure 3