

Total Fluids (Single Pump) Recovery with Vacuum Individual Air Supply and Common Discharge Return

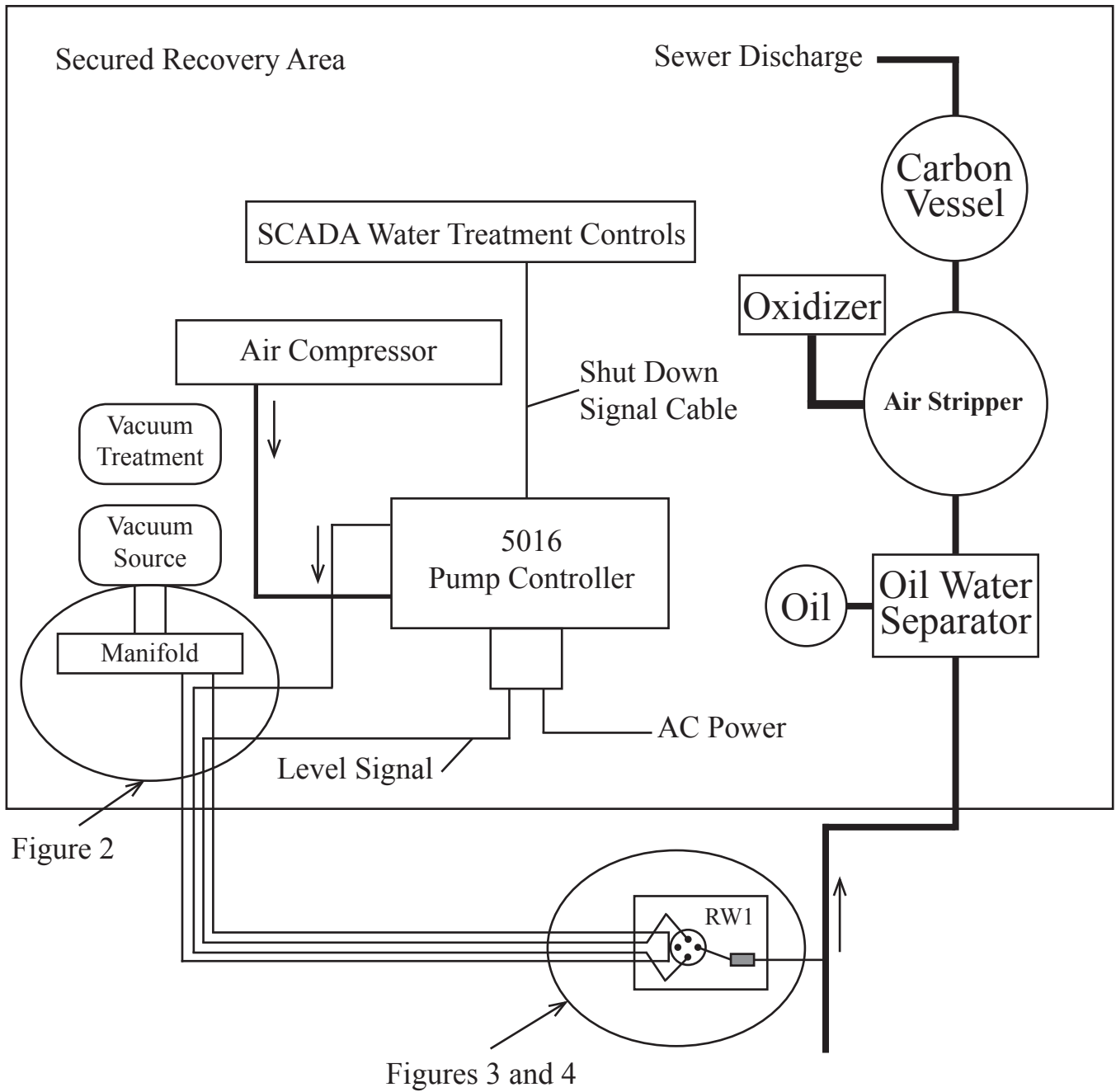


Figure 1

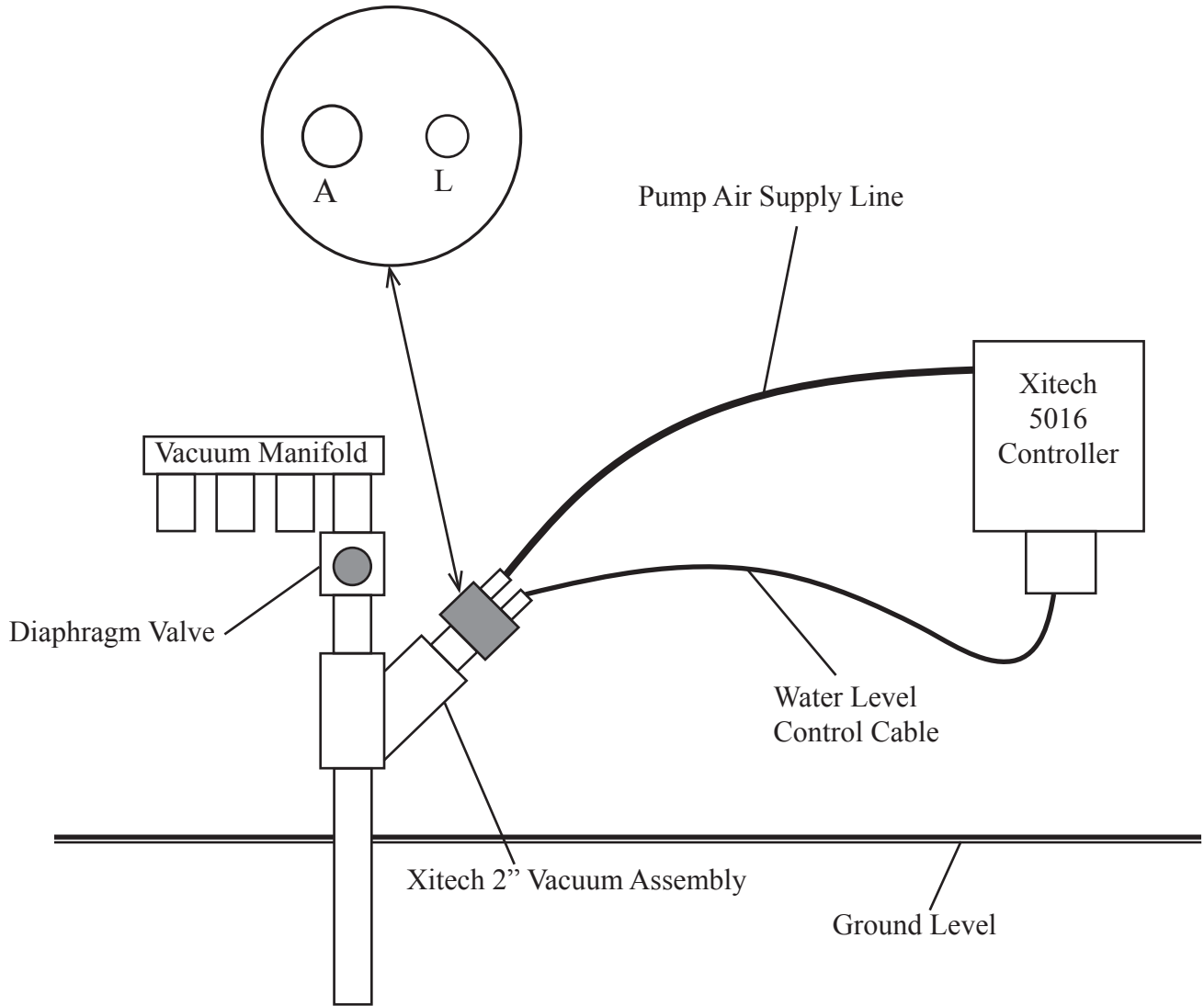


Figure 2

Shallow Trenching

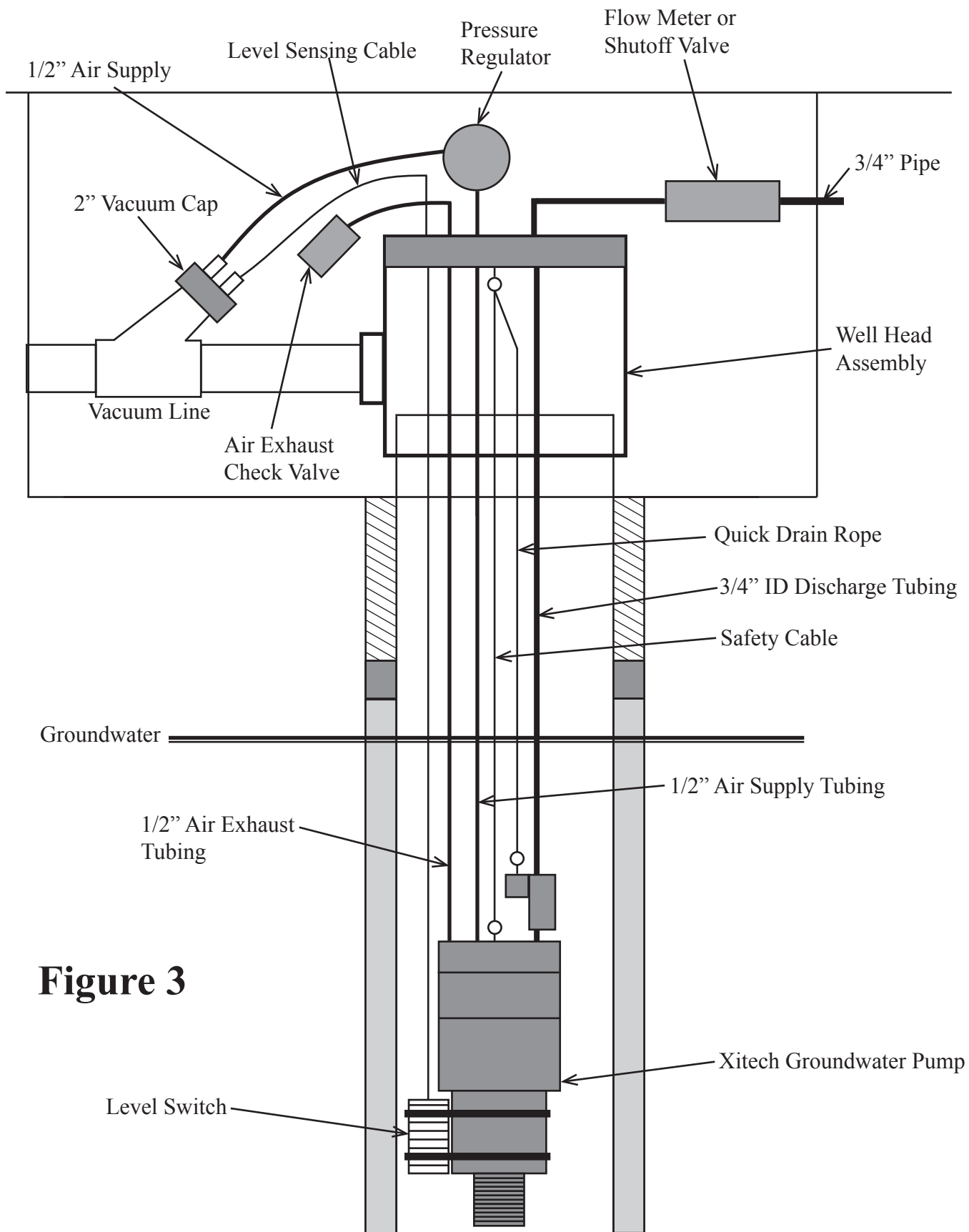


Figure 3

Deep Trenching

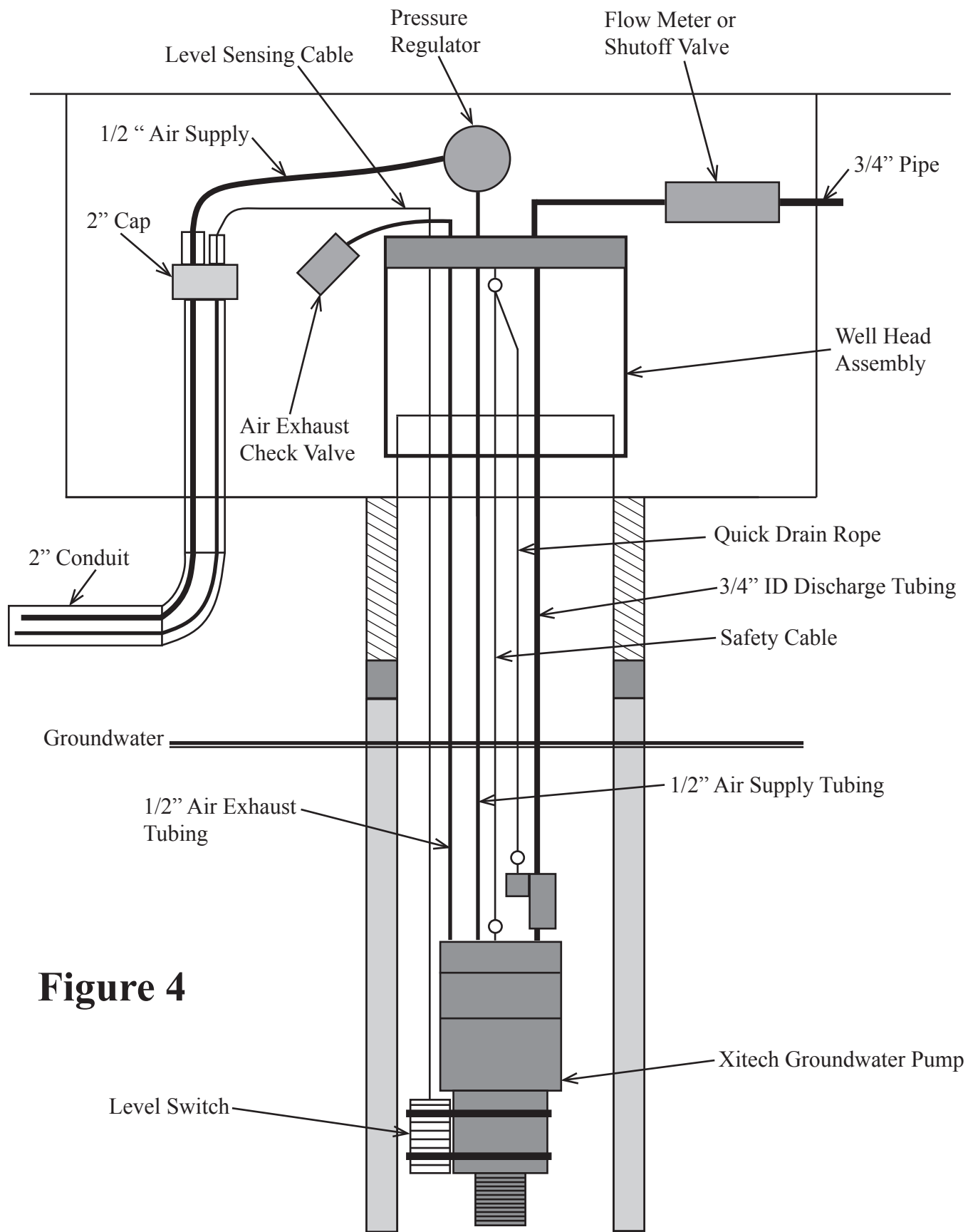


Figure 4