

# **ADJ1010L High Performance Smart Skimmer and 2550ES Class I Controller Single Skimmer Operations Manual**

## **Caution:**

**Read rules for safe operation and instructions  
carefully.**

© Copyright 1993 REV 07/2010

# **XITECH**

**Instruments, Inc.**

**06 Camino De Los Desmontes, Placitas, New Mexico 87043**

**Phone: 505-867-0008 Fax: 505-867-0212**

**Web site: [www.xitechinc.com](http://www.xitechinc.com)**

**E-mail: [xitechinc@xitechinc.com](mailto:xitechinc@xitechinc.com)**

## **3 YEAR WARRANTY**

This product is warranted to the original purchaser to be free from defective materials and workmanship. Under this warranty the product will be repaired or replaced at our option, without charge for parts or labor.

This warranty does not apply to the skimmer hydrophobic filter, air logic valve or diaphragm.

The period of this warranty covers 3 years on parts and labor from date of original purchase.

This warranty entitles the original purchaser to have the warranted parts and labor rendered at no cost for the period of the warranty described above when the instrument is carried or shipped, pre-paid, to our factory, together with proof of purchase.

### **RULES FOR SAFE OPERATION**

- 1. Please review carefully and abide by the maximum limits placed on each type of equipment.**
- 2. Please follow standard electrical practices and safety precautions when installing AC or DC power to our products.**

## Product Recovery System Installation

The system (Figures 1 and 2) relates to a floating LNAPL recovery system for wells four inches in diameter and larger. This system includes: an intrinsically safe ADJ1010L pneumatic Smart Skimmer, with an adjustable float (Figure 3), which removes LNAPL up to 200 feet deep; and a two function electronic Class I Controller Model 2550ES for hazardous locations which operates the skimmer intermittently, and has a high level tank shutoff.

STEP 1. Mount electronic Controller Model 2550ES (Figures 4 and 5) in a vertical position near the air source, power source, and holding tank if possible. Air supply needs to be free of WATER and OIL to have minimum maintenance. **NOTE:** The ON/OFF switch inside the controller is for AC and DC power.

STEP 2. Install holding tank shutoff assembly into holding tank (a 2" standard pipe inlet will be required in the holding tank). The level of product in the holding tank can be set by raising or lowering the liquid level float switch rod. Wire the shutoff switch cable into the controller (Figures 4 and 5). **NOTE:** If additional signal cable is needed to position the holding tank assembly further away from the controller, use 18 gauge 2-conductor wire.

STEP 3. Attach power line from the AC power source to the controller (Figures 4 and 5). Turn on the controller power switch. If the red "Product Tank Full" light stays on, you have a problem with tank shutoff wiring. Turn off the power switch and re-check the tank shutoff wiring. If the light continues to stay on, call the factory.

STEP 4. Install 3/8" OD air supply tubing from the main air source to the INLET of the Controller. Do NOT apply air pressure YET.

## ADJ1010L Smart Skimmer and 2550ES Class I Division 1 Hazardous Locations Electronic Controller With AC Power

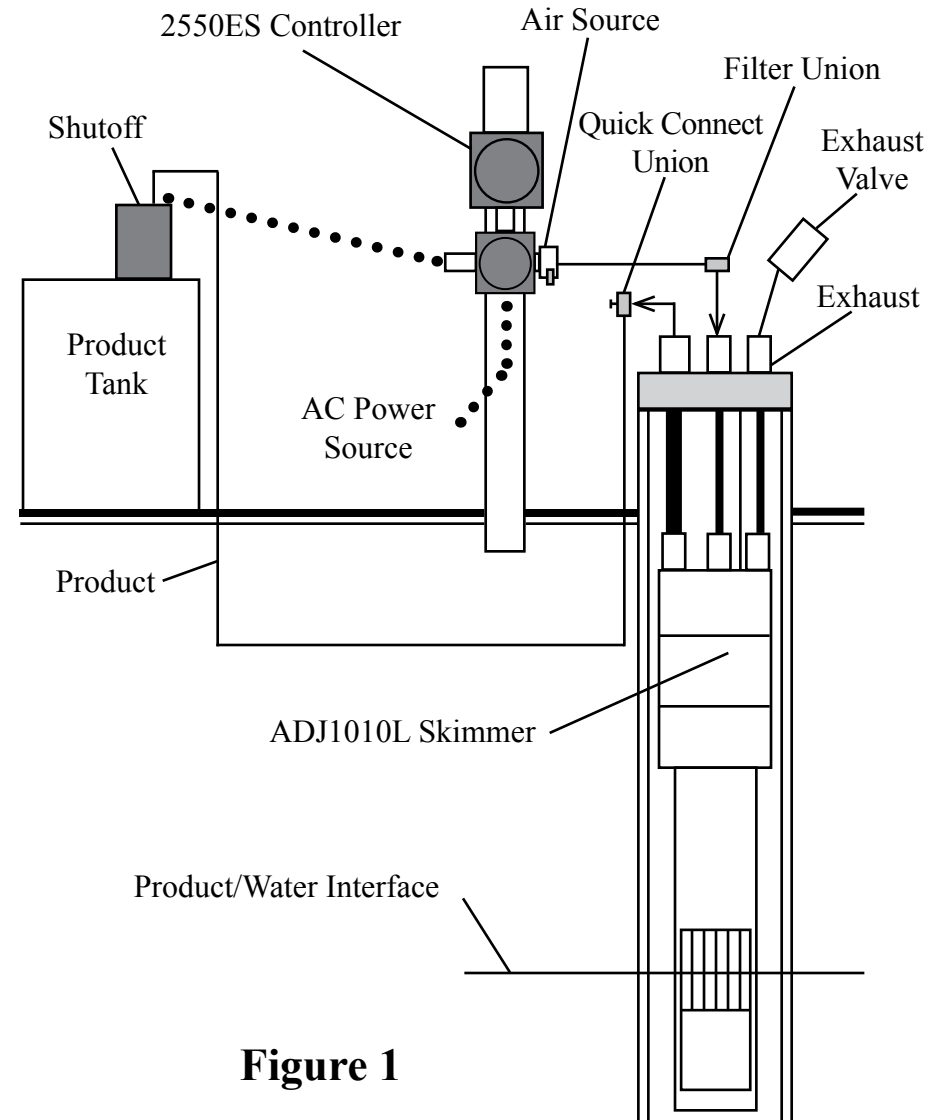


Figure 1

STEP 5. Install horizontal air supply line to the well. Use 3/8" OD tubing for the horizontal run. **CAUTION:** Please keep dirt from getting into these lines! Attach a filter union onto the end of this line at the well vault.

STEP 6. Install horizontal product return line to the well. Use 1/2" OD tubing for the horizontal run. Attach a quick connect union onto the end of this line at the well vault.

STEP 7. Position the skimmer and well cap on the ground near the well. **NOTE:** If the skimmer is over 60 feet deep, use a vented design skimmer. Cut a length of 3/8" OD air supply tubing to cover the distance from the top of the well down to water/product interface, plus 5 feet. Slide enough tubing through the well cap and attach the end of the tubing to the top of the skimmer tube fitting labeled "G" (Figure 3). If the product thickness is greater than 1 foot, position the center of the skimmer screen 1 foot below top of product. If the product thickness is less than 1 foot, position the center of the skimmer screen at the water/product interface.

STEP 8. Cut a length of 1/2" OD product tubing same length as the air supply line. Install 1/2" OD product tubing through the well cap tube fitting labeled "P" (Figure 3). Slide enough tubing through the well cap and attach the end of the tubing to the top of the skimmer tube fitting labeled "P". **CAUTION:** Do not kink the tubing.

STEP 9. Cut another length of 3/8" OD air exhaust tubing same length as air supply line. Install 3/8" OD air exhaust tubing through the well cap tube fitting labeled "E". Slide enough tubing through the well cap and attach the end of the tubing to the top of the skimmer tube fitting labeled "E".

STEP 10. Cut a length of safety rope same length as air supply line. Attach the safety rope from inside the well cap to the top of the skimmer head. The tubing will carry the weight of the skimmer.

## ADJ1010L Smart Skimmer and 2550ES Class I Division 2 Hazardous Locations Electronic Controller With Solar/DC Power

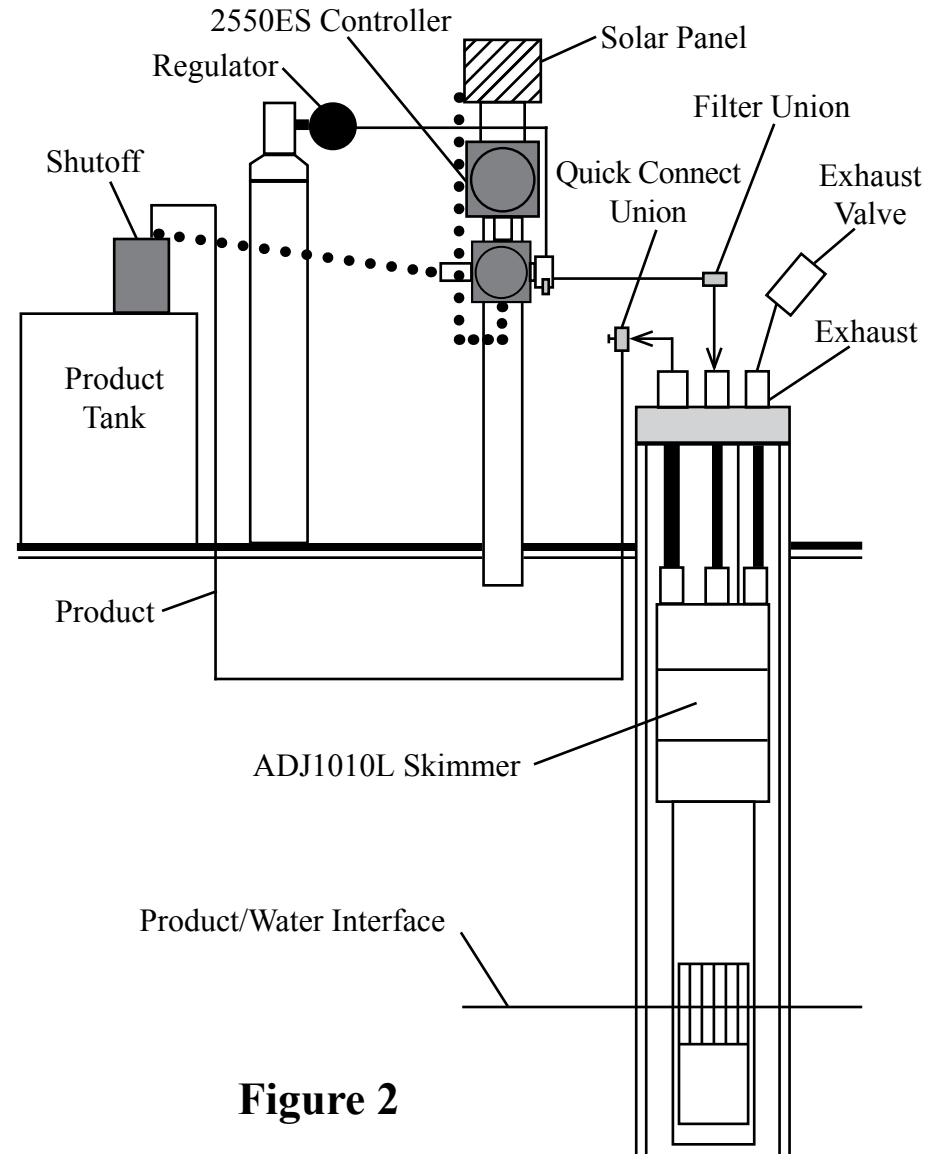


Figure 2

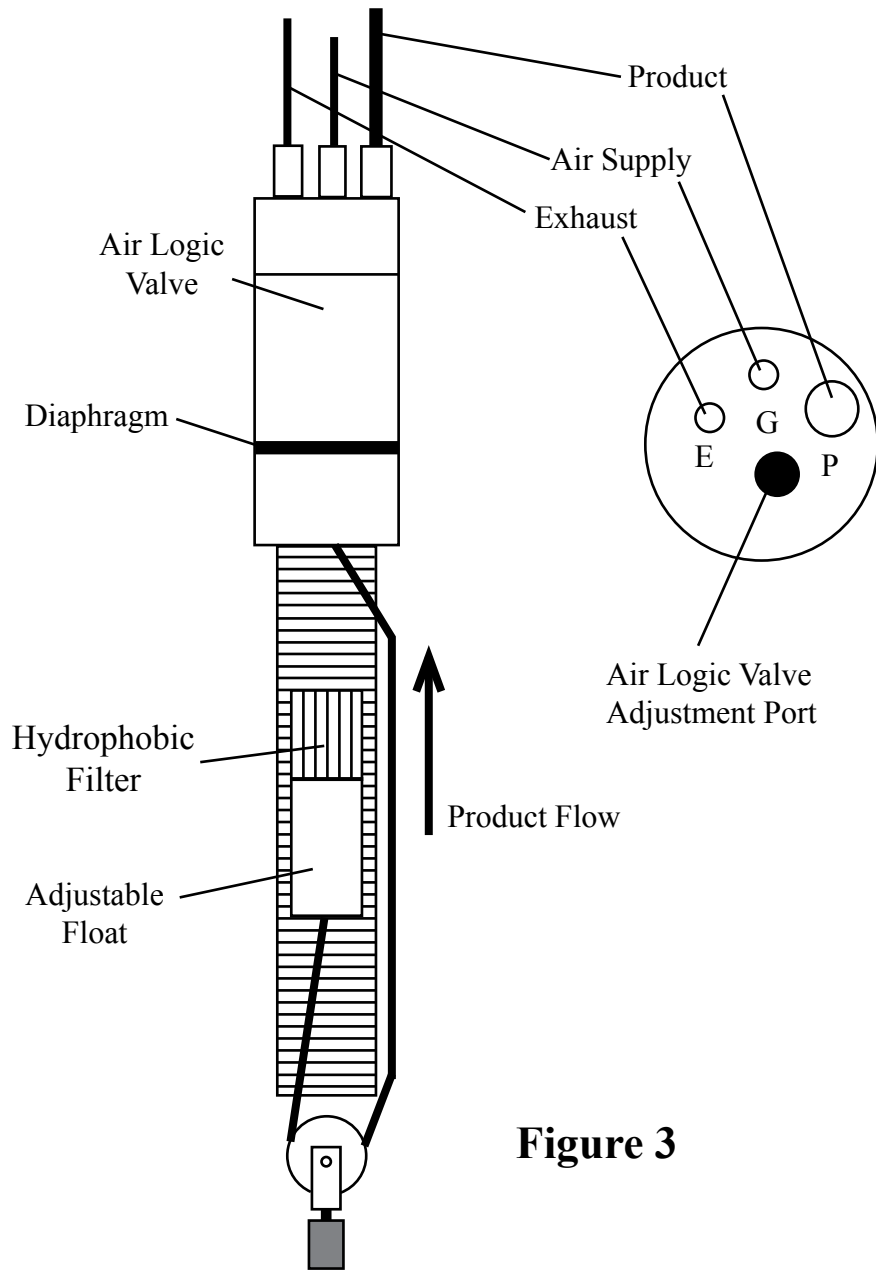


Figure 3

STEP 11. Attach the 3/8" filter union onto the 3/8" air supply line coming out of the well cap.

STEP 12. Attach the 1/2" product line coming from the well cap into the inlet of the quick connect union.

STEP 13. Attach the exhaust check valve onto the end of the 3/8" air exhaust line coming out of the well cap.

STEP 14. Set operating air supply pressure.

$$\text{AIR PRESSURE} = 35 + \frac{\text{Total Vertical Lift}}{2.85}$$

Minimum operating pressure is 35 PSI  
 Maximum operating pressure is 125 PSI

STEP 15. Go to the controller and turn the Pumping Time knob to the CONT. position, turn on the power switch at the controller to start the skimmer running. Observe that the skimmer is making a pumping noise. The exhaust check valve should have an intermittent pulsing sound about once every second.

STEP 16. While the skimmer is running at the desired operating air pressure above ground, confirm or adjust skimmer pulse rate. To adjust skimmer pulse rate, remove small plug at the top of the skimmer pump head and insert a small flat-head screwdriver into the air logic valve located inside the pump head. Turn clockwise to decrease pulse rate. **NOTE:** Factory sets skimmer pulse rate to 60 pulses per minute at 50 psi operating pressure. Maximum recommended pulse rate is 80 pulses per minute. Lower pulse rates will consume less air.

### 2550ES Electronic Controller AC Power, Class 1, Division 1

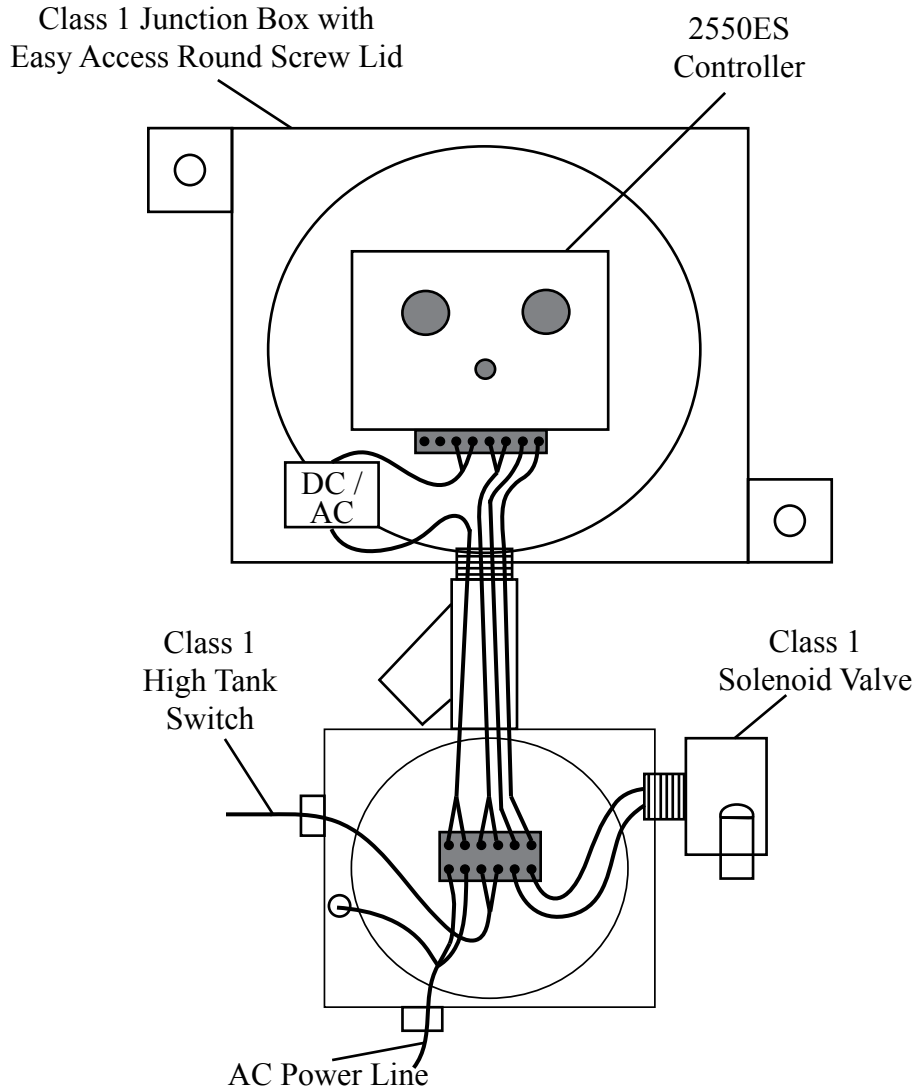


Figure 4

### 2550ES Electronic Controller DC Power, Class 1, Division 2

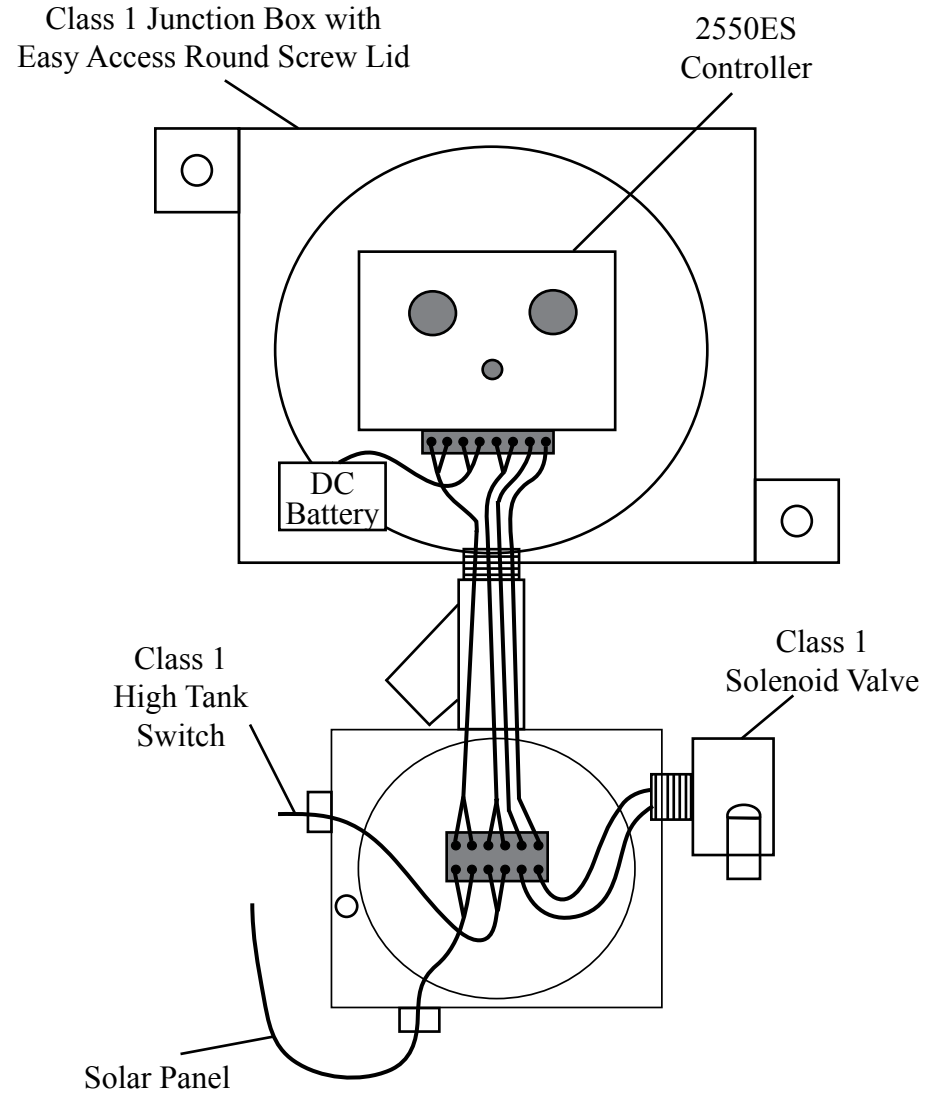


Figure 5

STEP 17. The ADJ1010L was designed with an adjustable float to compensate for the varying specific gravities of floating product. This float can be adjusted to float high or low of the water product interface. This is accomplished by adding water or removing water from the inside of the float (see page 11).

STEP 18. You are now ready to install skimmer in the well. **CAUTION:** Please remove skimmer float shipping tie wraps before placing skimmer in well.

## Operation of the Product Recovery System

Turn on the power to the controller and wait for product to come to the surface. If your skimmer is less than 30 feet deep, product should show up above ground in about 2 minutes.

Observe the product being discharged by the skimmer. Be sure no water is being pumped. If water does appear, pull the skimmer out of the well and check to see if the shipping tie wraps have been removed from the skimmer well screen area. If there are no tie wraps, give Xitech a call toll free at 888-867-9483.

Record the amount of time it takes to empty the well of product. When the well is empty of product, turn off the controller power.

If you found it took 10 minutes to pump the product off, set the “pumping time” to 5 minutes (Xitech’s 1/2 Rule).

You now have to guess how many times a day to empty the well. A good guess would be once a day for slow recovering product and 3-6 times a day for fast recovering product.

**NOTE:** Timing begins when power is applied. The settings ending with “D” means days delay. For example: If the “cycles per day” is set to 5D and you turn on the power to the controller, the controller will immediately operate the skimmer for the selected amount of pumping time and then wait 5 days before running the skimmer again.

**YOU ARE NOW READY TO OPERATE THE SYSTEM! TURN ON THE POWER TO THE CONTROLLER.**

**PLEASE CALL XITECH FROM THE FIELD IF YOU HAVE ANY TROUBLE WITH YOUR INSTALLATION.**

**FINAL NOTE:** Keep in mind that you are trying to empty the formation of free product over a long period of time. To do this, you must always try to keep some free product thickness in your recovery well at all time while removing free product daily.

## How To Adjust The Skimmer Float Assembly

Assembly instructions for adding water to the float body:

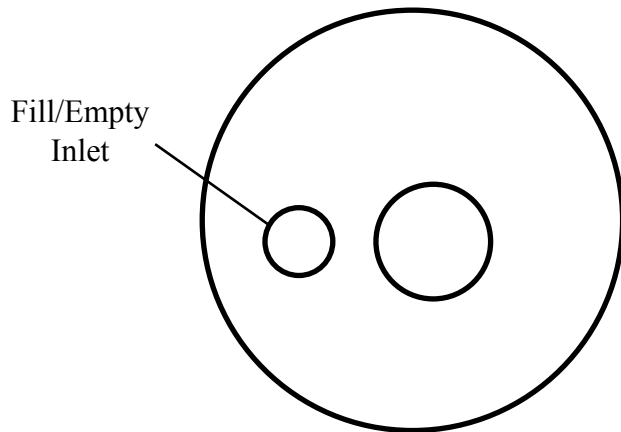
STEP 1: Remove skimmer assembly from skimming housing.

STEP 2: Remove screw plug at bottom of float body.

STEP 3: Empty existing water ballast first, then put in the new amount of water. Add water into open port at the bottom of float body by using Xitech's 60cc syringe.

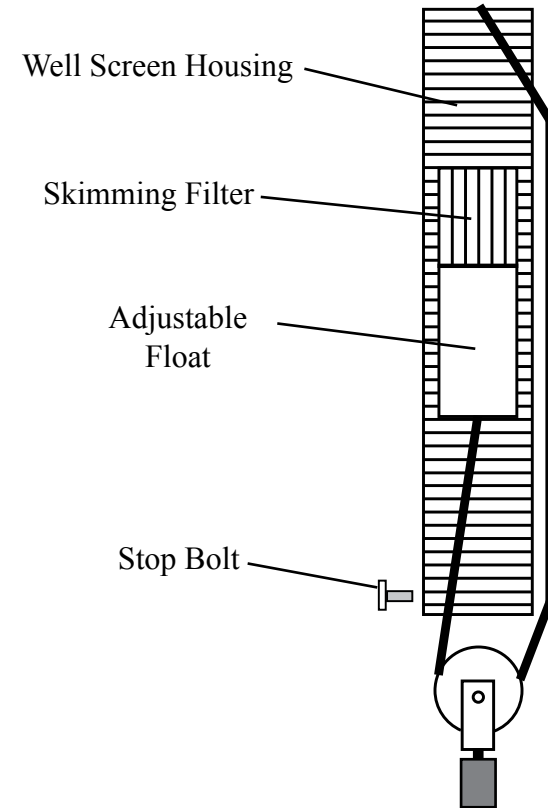
STEP 4: Re-install screw plug into float and re-install skimmer assembly back into the skimmer housing.

### Bottom of Float



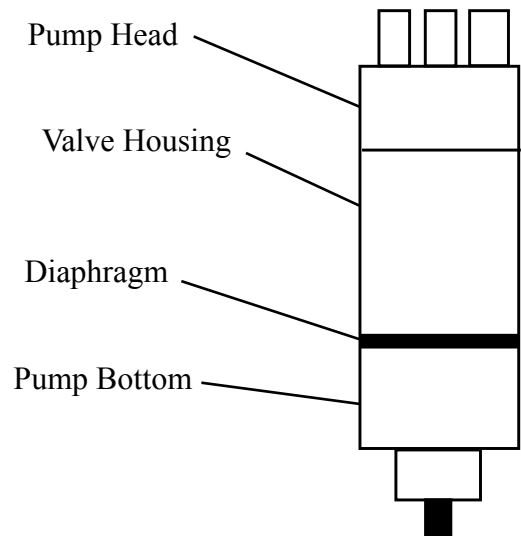
## Replacing The Skimmer Filter

1. Remove the stop bolt at the bottom of the well screen housing.
2. Remove the skimming assembly from the well screen housing.
3. Remove the skimming filter from the float assembly. No tools required.
4. Push on a new skimming filter onto the float assembly and return skimming assembly to the well screen housing.
5. Secure the stop bolt to the well screen housing.



## Replacing The Skimmer Diaphragm

1. Loosen all bolts until bottom can be detached. Do not separate pump head, valve housing or diaphragm from the six bolts at this time.
2. Lay pump on its side on the table and remove the diaphragm from all six bolts.
3. Place new diaphragm onto the six bolts and reattach upper pump parts with the pump bottom.



## 2550ES Controller Mounting

